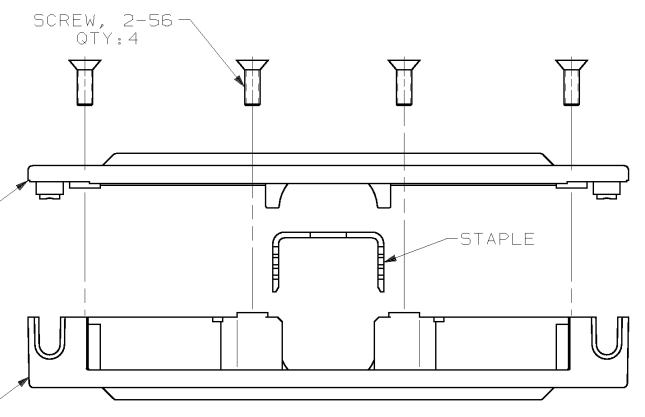
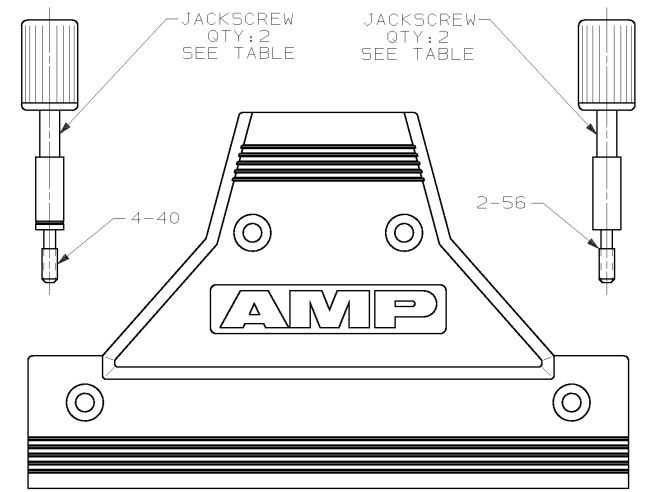
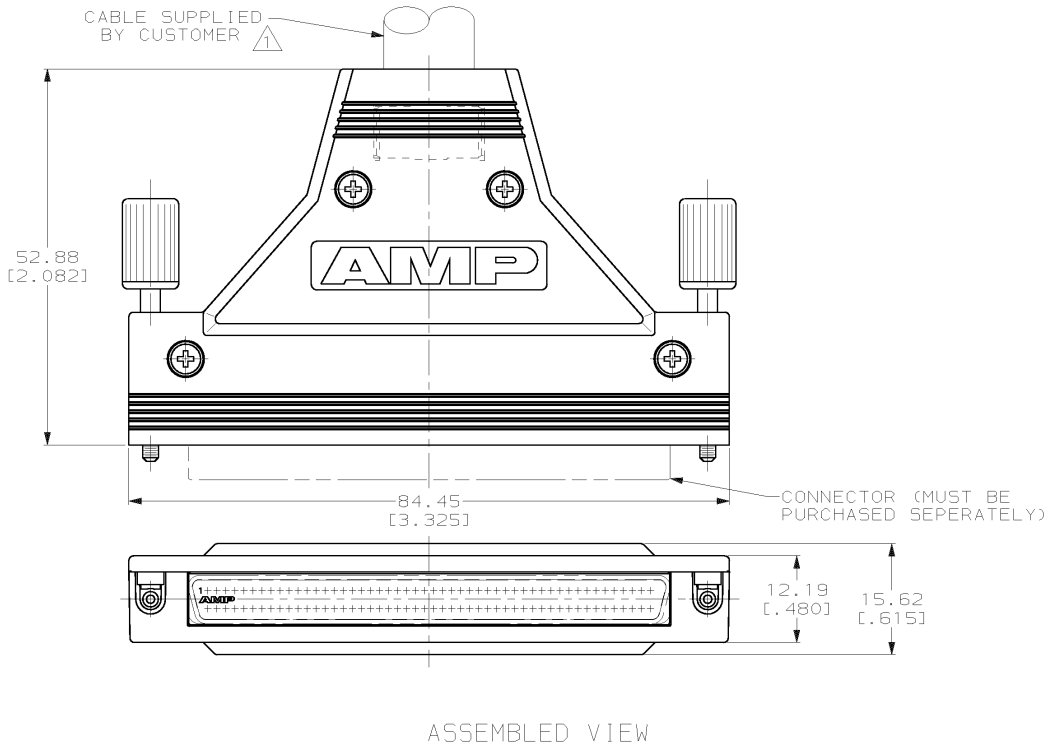


DRAWING MADE IN THIRD ANGLE PROJECTION
 THIS DRAWING IS UNPUBLISHED. RELEASED FOR PUBLICATION
 © COPYRIGHT 19 BY AMP INCORPORATED. ALL INTERNATIONAL RIGHTS RESERVED.

LOC	DIST	R	F	ZONE	LTR	REVISIONS	DATE	APPD
GP	00				D	REVISED PER EC 0513-0160-03	22MAY03	JG



- ① 12.70 [.500] MAX CABLE DIA.
- ② MATERIAL: ZINC.
- ③ PLATING: NICKEL OVER COPPER.
- ④ MATERIAL: STEEL.
- ⑤ PLATING: BRIGHT TIN-LEAD OVER NICKEL.
- ⑥ FLAME RETARDANT 94 V-0 RATED, POLYOLEFIN OR PVC, COLOR: BLACK.
- ⑦ BLACK ZINC PLATED.
- ⑧ MATERIAL: STAINLESS STEEL.
- ⑨ PLATING: BRIGHT TIN OVER NICKEL.

	JACKSCREW THREAD	STAPLE FINISH	PART NO
	2-56 UNC	⑨	749854-3
OBSOLETE	4-40 UNC	⑤	749854-2
	2-56 UNC	⑤	749854-1

DO NOT SCALE PRINT. UNLESS SPECIFIED DIMENSIONS IN mm [INCHES] TOLERANCES ON : 2 PLC DEC ±0.38 [1.015] 3 PLC DEC ± - ANGLES ± -		DR 02-19-90 M.E. SHIRK		AMP Incorporated Harrisburg, PA 17105-3608	
MATERIAL STAPLE: ④ JACKSCREWS: ④ ⑥ SCREWS: ⑧ BACKSHELLS: ③		CHK 02-19-90 J. BROSCARD			
FINISH STAPLE: SEE TABLE		APPD 02-21-90 D. GRIESEMER		SIZE CAGE CODE DRAWING NO © 00779 ©=749854	
JACKSCREWS: ④ BACKSHELLS: ③		APPD 02-19-90 R. WHITEMAN		SCALE 2:1 SHEET 1 OF 1	
		PRODUCT SPEC -			
		APPLICATION SPEC -			
		WEIGHT -			

THIS DRAWING IS A CONTROLLED DOCUMENT FOR AMP INCORPORATED. IT IS SUBJECT TO CHANGE AND THE CONTROLLING ENGINEERING ORGANIZATION SHOULD BE CONTACTED FOR THE LATEST REVISION.

CUSTOMER DRAWING